

MAXIMO™

THERMOWOOD PINE PRODUCTS AND PROFILES



Our Maximo Thermowood with Novawood Technology undergoes a unique modification process that enhances its durability, stability, and overall quality, making it an excellent choice for wall and ceiling applications.

Modification Process

Using only heat and steam, Maximo Thermowood goes through an enhancing process that removes moisture from the wood's cells. This process significantly increases its durability and stability, delivering a superior product perfectly suited for wall and ceiling applications. Maximo Thermowood boasts up to 300% less moisture content compared to other wood species, making it an incredibly lightweight and robust building material.

Custom Milled Profiles

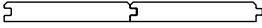









We have the ability and extensive experience to supply specific profiles tailored for large-scale projects. Whether your requirements involve a unique design, specific dimensions, or intricate detailing, our skilled team can expertly craft the perfect profiles to bring your vision to life.

Sustainability

Our commitment to the environment is unwavering. All our Thermowood is certified as sustainable by reputable third-party verification organizations such as the FSC and PEFC. When you choose Maximo Wood, you're not only getting exceptional wood products but also supporting responsible forestry practices.



Sizes and Profiles

Our Profiles		Standard Lengths
 V-Joint	 UNO	7- to 17-ft boards
 GAMA	 PERA (MEDIUM V-JOINT)	
 ENDURO D	 NOVA (NICKELGAP)	Available Sizes
 FLUTED #2	 FLUTED #2 3/4	
 FLUTED #3	 FLUTED #5	

Thermowood® is manufactured using the metric system, which means that a foot-long measurement is always under 12 inches.

